

From:	Product Management	Date:	18-8-2014
For:	Sales	Ref:	PI-05-03 EN
Article:	Green Pin® Shackles	Revision:	0
Subject:	Additional stamping on Green Pin® Shackles		
Note:	Main dimensions, general info and warnings can be found in our latest catalogue		

Question: Are there any recommendations for additional stamping on Green Pin® Shackles?

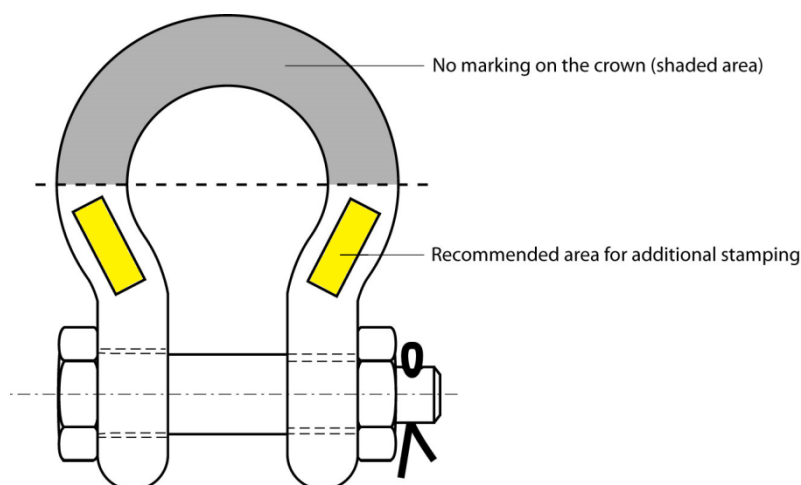
Answer:

If the recommendations in this Product Information leaflet are followed performance of the shackles is guaranteed.

- permanent identification marks, or symbols, are to be made by dot peen marking or with stamps having rounded profiles (low stress stamps).
- the number of marks on a shackle is to be kept to the minimum.
- the use of fractions and oblique strokes is to be avoided and a dot or hyphen is preferable to a dividing line.
- values of WLL are, generally, to be marked to one place of decimals (except for 0.25 and 0.75) up to 100 t and in integers thereafter. The word “tonnes” may be abbreviated to “t”.
- recommended sizes of marks are

Diameter of part to be marked	Recommended size of mark
less than 12.5 mm	3.0 mm
12.5 to 26 mm	4.5 mm
over 26 mm	6.0 mm

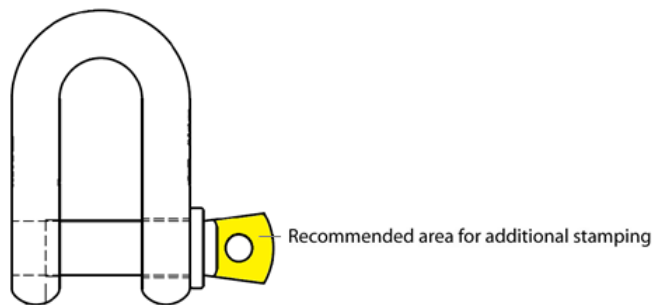
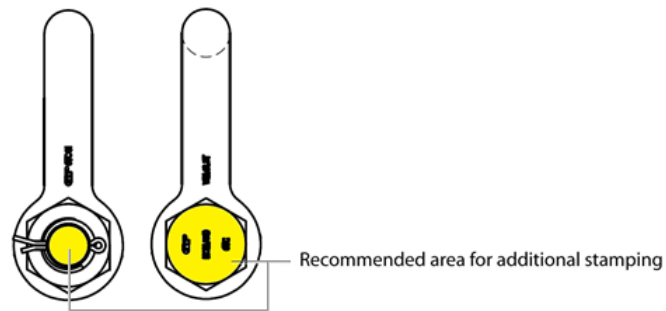
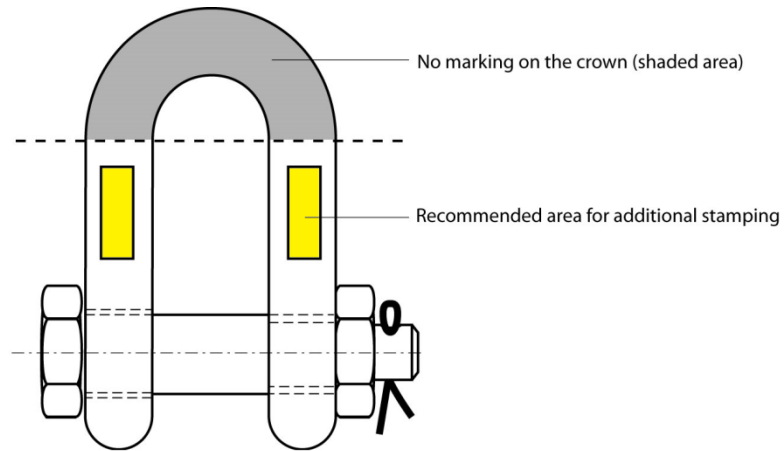
Typical arrangements of marks can be found in the following illustrations.



VAN BEEST B.V. Manufacturer and Supplier of wire rope and chain fittings. Reg. trade marks 'Green Pin' and 'Excel'



P.O. Box 57  
3360 AB Sliedrecht  
The Netherlands  
Industrieweg 6  
3361 HJ Sliedrecht  
Telephone +31 184 41 33 00  
Telefax +31 184 41 49 59  
E-mail [sales@vanbeest.com](mailto:sales@vanbeest.com)  
Internet [www.vanbeest.com](http://www.vanbeest.com)



VAN BEEST B.V. Manufacturer and Supplier of wire rope and chain fittings. Reg. trade marks 'Green Pin' and 'Excel'

If you have further questions, please do not hesitate to contact us.

Kind regards,

Van Beest Product Management

